

PRODUCT SPECIFICATIONS

Elkay Perfect Drain Chrome Plated Brass Body, Strainer and LKADOS Tailpiece. Overall dimensions are 15-13/16" x 4-5/8" x 10". Made of Chrome-plated Brass.

Material:	Chrome-plated Brass
Finish:	Chrome (CR)
Dimensions:	15-13/16" x 4-5/8" x 10"
Shipping Weight:	2 lbs.

- Perforated 3" grid strainer.
- 1-1/2" O.D. x 4" tailpiece.



AMERICAN PRIDE. A LIFETIME TRADITION.
Like your family, the Elkay family has values and traditions that endure. For almost a century, Elkay has been a family-owned and operated company, providing thousands of jobs that support our families and communities.

Product Compliance: ADA
ASME A112.18.2/CSA B125.2

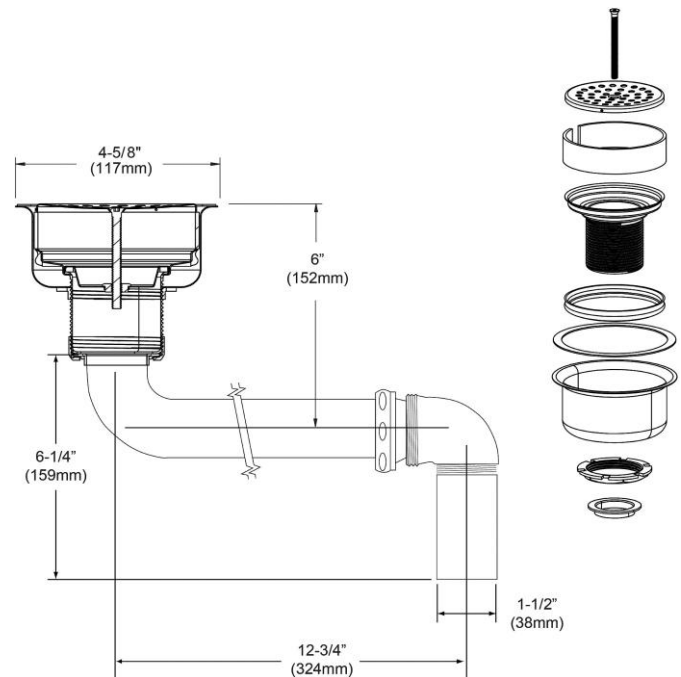


Drains are listed by IAPMO[®] as meeting the applicable requirements of the Uniform Plumbing Code[®], International Plumbing Code[®], and National Plumbing Code of Canada.



[clean care manual hyperlink title](#)
[installation instructions hyperlink title](#)
[product warranty \(PDF\)](#)

PART: _____ QTY: _____
PROJECT: _____
CONTACT: _____
DATE: _____
NOTES: _____
APPROVAL: _____



In keeping with our policy of continuing product improvement, Elkay reserves the right to change product specifications without notice. Please visit elkay.com for the most current version of Elkay product specification sheets. This specification describes an Elkay product with design, quality, and functional benefits to the user. When making a comparison of other producers' offerings, be certain these features are not overlooked.